



**Cisco**

**300-620 Exam**

**Implementing Cisco Application Centric Infrastructure**

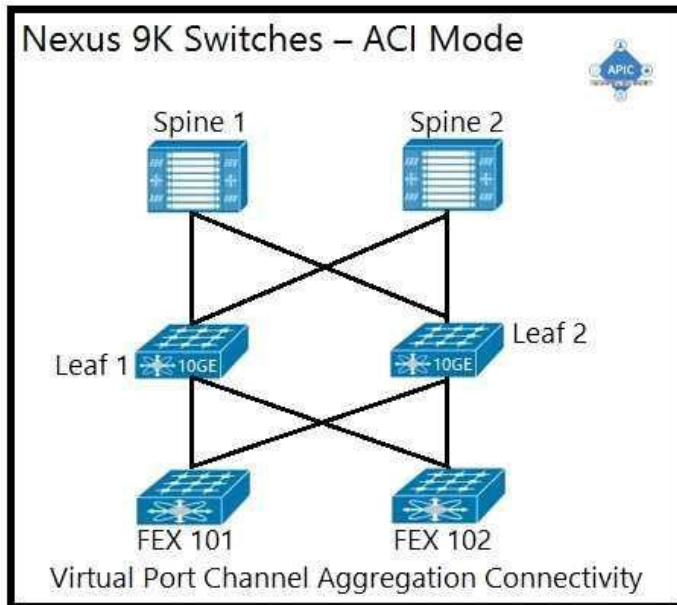
**Questions & Answers**

**Demo**

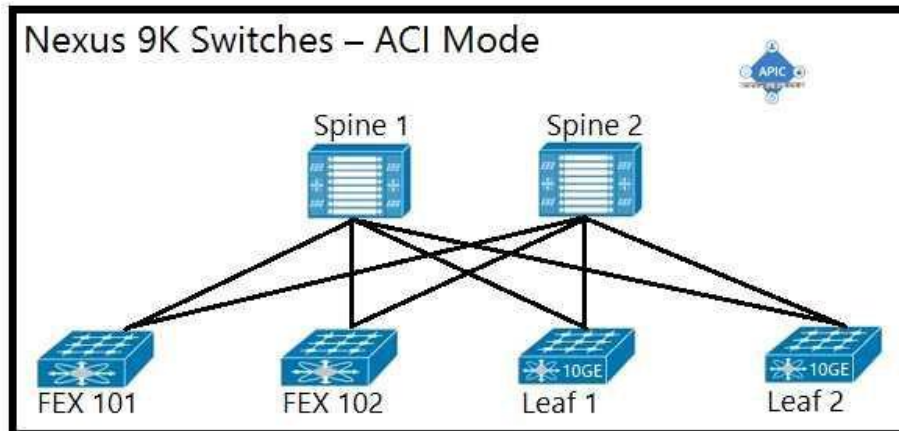
# Version: 11.0

## Question: 1

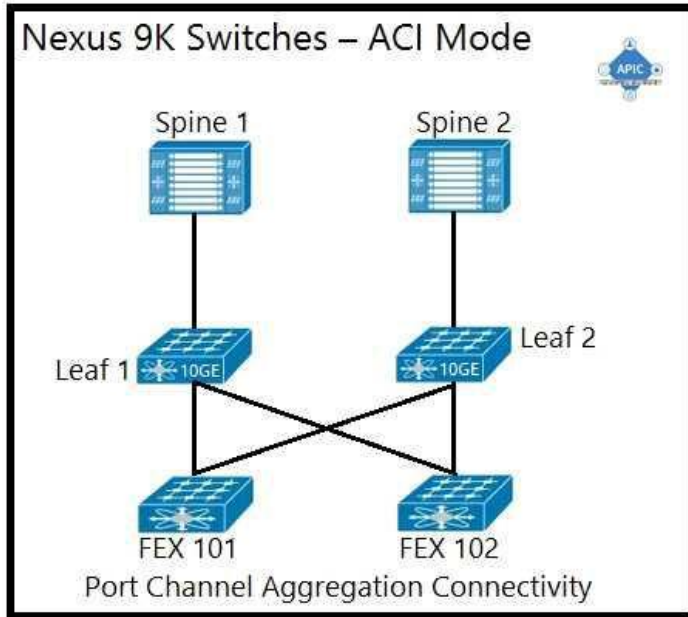
An engineer is implementing a Cisco ACI data center network that includes Cisco Nexus 2000 Series 10G fabric extenders. Which physical topology is supported? A)



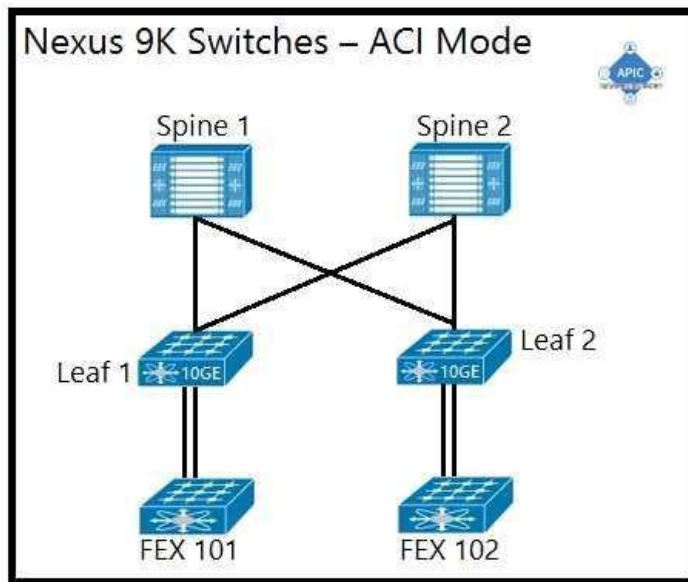
B)



C)



D)



- A. Option A
- B. Option B
- C. Option C
- D. Option D

---

**Answer: D**

---



---

**Question: 2**

---

An ACI administrator notices a change in the behavior of the fabric. Which action must be taken to determine if a human intervention introduced the change?

- A. Inspect event records in the APIC UI to see all actions performed by users.
- B. Inspect `/var/log/audit_messages` on the APIC to see a record of all user actions.
- C. Inspect audit logs in the APIC UI to see all user events.
- D. Inspect the output of show command history in the APIC CLI.

---

**Answer: C**

---

---

**Question: 3**

---

An engineer is creating a configuration import policy that must terminate if the imported configuration is incompatible with the existing system. Which import mode achieves this result?

- A. merge
- B. atomic
- C. best effort
- D. replace

---

**Answer: B**

---

Reference: [https://www.cisco.com/c/en/us/td/docs/switches/datacenter/aci/apic/sw/4-x/aci-fundamentals/](https://www.cisco.com/c/en/us/td/docs/switches/datacenter/aci/apic/sw/4-x/aci-fundamentals/Cisco-ACI-Fundamentals-401/Cisco-ACI-Fundamentals-401_chapter_01011.html) Cisco-ACI-Fundamentals-401/Cisco-ACI-Fundamentals-401\_chapter\_01011.html

---

**Question: 4**

---

Which components must be configured for the BGP Route Reflector policy to take effect?

- A. spine fabric interface overrides and profiles
- B. access policies and profiles
- C. pod policy groups and profiles
- D. leaf fabric interface overrides and profiles

---

**Answer: C**

---

Reference: [https://www.cisco.com/c/en/us/td/docs/switches/datacenter/aci/apic/sw/4-x/L3-configuration/Cisco-APIC-Layer-3-Networking-Configuration-Guide-401/Cisco-APIC-Layer-3-Networking-Configuration-Guide-401\\_chapter\\_01.html](https://www.cisco.com/c/en/us/td/docs/switches/datacenter/aci/apic/sw/4-x/L3-configuration/Cisco-APIC-Layer-3-Networking-Configuration-Guide-401/Cisco-APIC-Layer-3-Networking-Configuration-Guide-401_chapter_01.html)

---

**Question: 5**

---

Which type of policy configures the suppression of faults that are generated from a port being down?

- A. fault lifecycle assignment
- B. event lifecycle assignment
- C. fault severity assignment
- D. event severity assignment

---

**Answer: C**

---

Reference: [https://www.cisco.com/c/en/us/td/docs/switches/datacenter/aci/apic/sw/all/faults/guide/b\\_APIC\\_Faults\\_Errors/b\\_IFC\\_Faults\\_Errors\\_chapter\\_01.html](https://www.cisco.com/c/en/us/td/docs/switches/datacenter/aci/apic/sw/all/faults/guide/b_APIC_Faults_Errors/b_IFC_Faults_Errors_chapter_01.html)

---

**Question: 6**

---

Which type of profile needs to be created to deploy an access port policy group?

- A. attachable entity
- B. Pod
- C. module
- D. leaf interface

---

**Answer: A**

---

Reference: [https://www.cisco.com/c/en/us/td/docs/switches/datacenter/aci/apic/sw/1-x/Operating\\_ACI/guide/b\\_Cisco\\_Operating\\_ACI/b\\_Cisco\\_Operating\\_ACI\\_chapter\\_0110.html](https://www.cisco.com/c/en/us/td/docs/switches/datacenter/aci/apic/sw/1-x/Operating_ACI/guide/b_Cisco_Operating_ACI/b_Cisco_Operating_ACI_chapter_0110.html)

---

**Question: 7**

---

A situation causes a fault to be raised on the APIC. The ACI administrator does not want that fault to be raised because it is not directly relevant to the environment. Which action should the administrator take to prevent the fault from appearing?

- A. Under System -> Faults, right-click on the fault and select Acknowledge Fault so that acknowledged faults will immediately disappear.
- B. Create a stats threshold policy with both rising and falling thresholds defined so that the critical severity threshold matches the squelched threshold.
- C. Under System -> Faults, right-click on the fault and select Ignore Fault to create a fault severity assignment policy that hides the fault.
- D. Create a new global health score policy that ignores specific faults as identified by their unique fault code.

---

**Answer: C**

---

---

**Question: 8**

---

A RADIUS user resolves its role via the Cisco AV Pair. What object does the Cisco AV Pair resolve to?

- A. tenant
- B. security domain
- C. primary Cisco APIC
- D. managed object class

---

**Answer: D**

---

Reference: [https://www.cisco.com/c/en/us/td/docs/switches/datacenter/aci/apic/sw/2-x/Security\\_config/b\\_Cisco\\_APIC\\_Security\\_Configuration\\_Guide/b\\_Cisco\\_APIC\\_Security\\_Guide\\_chapter\\_01011.html](https://www.cisco.com/c/en/us/td/docs/switches/datacenter/aci/apic/sw/2-x/Security_config/b_Cisco_APIC_Security_Configuration_Guide/b_Cisco_APIC_Security_Guide_chapter_01011.html)